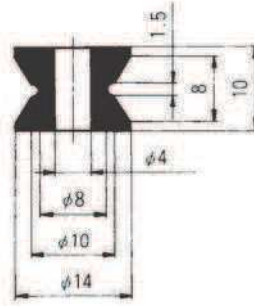
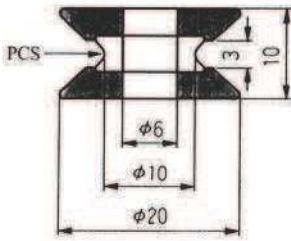


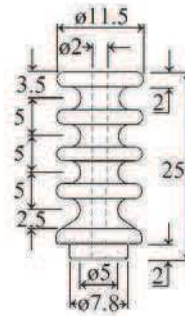
T6



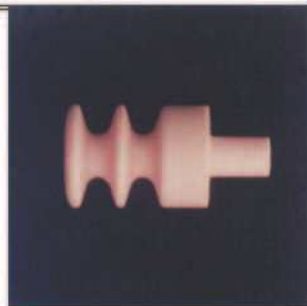
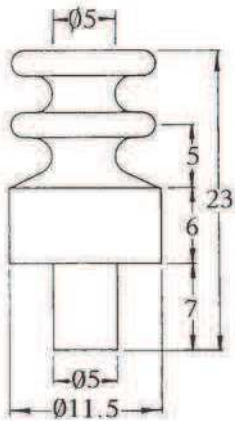
T40



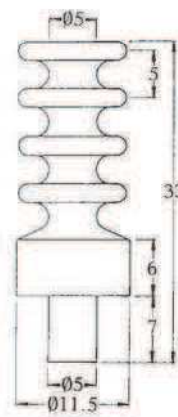
T41



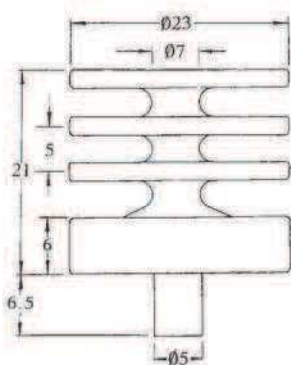
V33



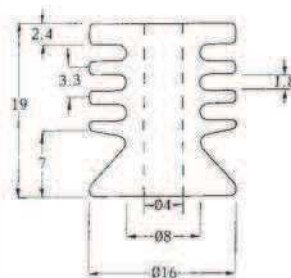
V2



V19

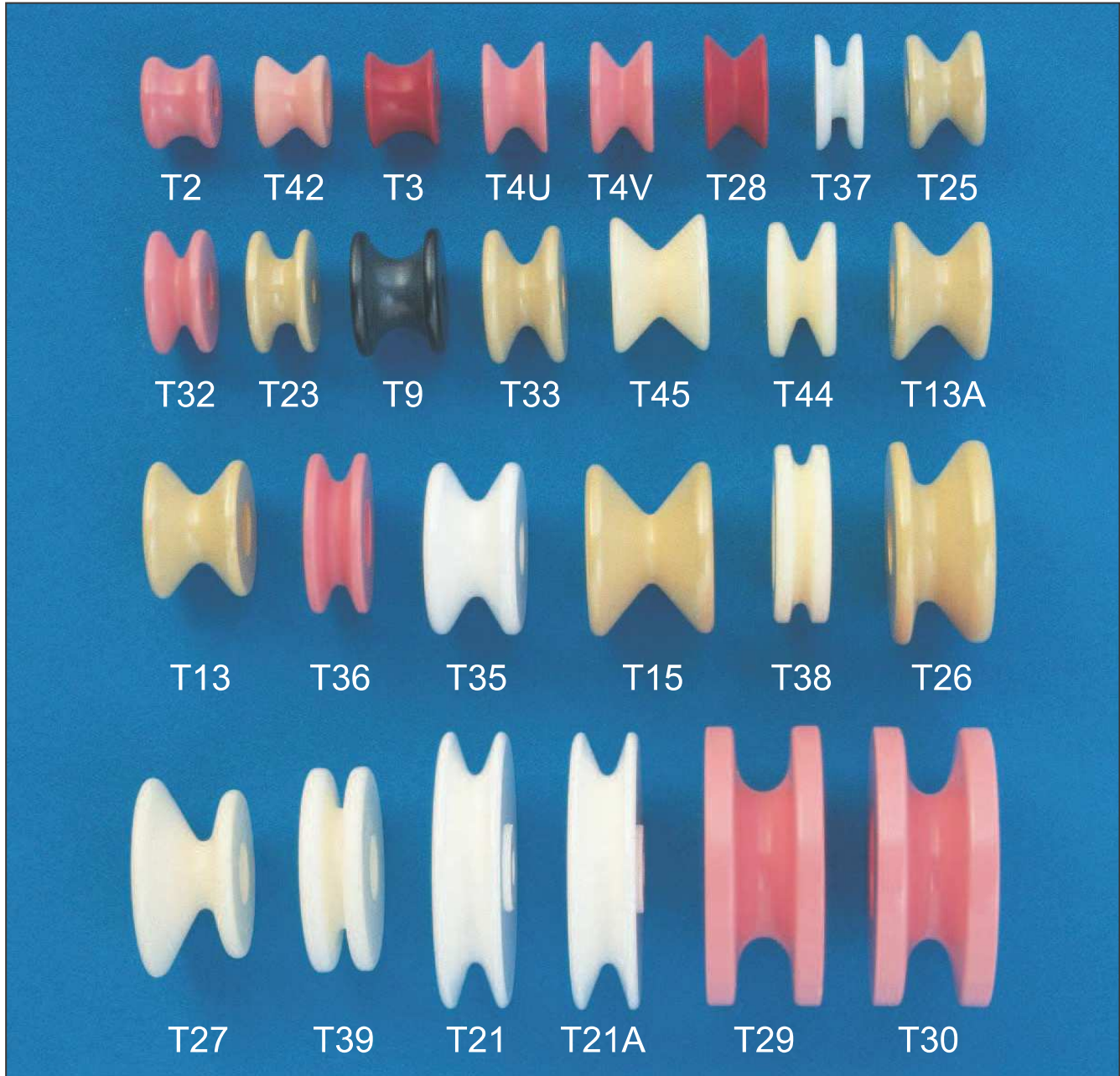


V31



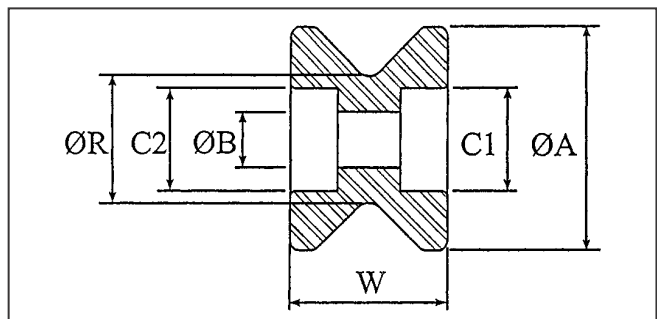
W1

Single Groove Rollers



CS = countersunk bore for screw

Ref.	øA	øB	øR	W	øC1	øC2
T34	14.0	3.2	10.0	8.0		
T2	14.0	4.3	10.0	10.0		
T42	14.0	3.5	8.0	10.0	6.5 x 3.0	
T3	16.0	4.0	10.0	9.0		
T4U	16.5	4.0	8.5	9.0		
T4V	16.5	4.0	8.5	9.0		
T28	17.0	4.0	10.0	9.0		
T37	17.0	5.0	8.0	7.0		
T25	17.0	6.0	8.0	11.0		
T47	17.0	3.3	10.0	9.5		
T32	18.0	5.0	10.0	8.0		
T23	18.2	3.3	9.5	9.0	8.0 x 0.5	
T9	19.0	3.2	10.2	12.8		
T33	20.0	4.3	9.5	11.0	10.0 x 2.0	
T45	20.0	4.3	10.0	14.1	14.4 x 2.0	14.4 x 2.0
T44	20.0	6.0	8.0	10.0		
T13A	20.5	5.0	10.0	13.5	CS	
T13	20.5	3.0	10.0	13.6	7.8 x 3.0	
T36	23.5	9.6	15.0	8.0		
T35	24.9	6.0	14.1	13.1	9.0 x 1.5	
T15	25.0	6.0	10.0	18.0	9.0 x 1.5	
T38	25.6	4.0	20.0	7.8	15.2 x 1.3	15.2 x 1.3

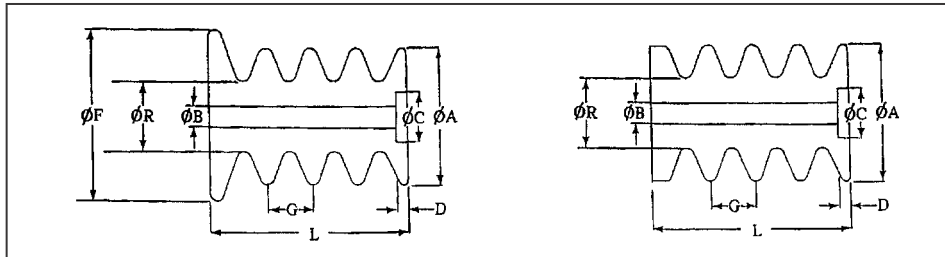
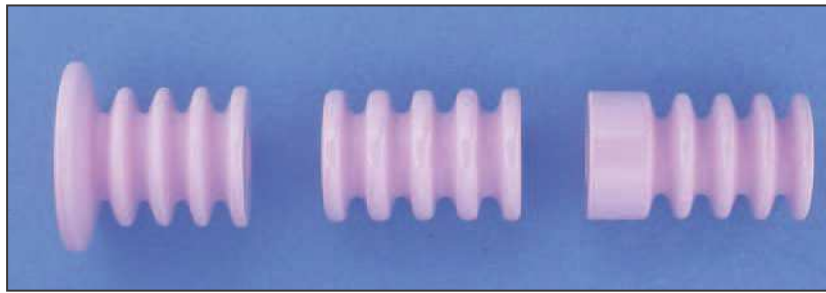


Ref.	øA	øB (to clear)	øR	W	øC1	øC2
T26*	29.3	6.0	16.5	14.0	9.0 x 1.5	9.0 x 0.8
T27*	29.3	6.0	10.0	14.0	9.0 x 1.5	9.0 x 0.8
T39	29.8	6.0	17.2	9.0	9.0 x 2.0	9.0 x 0.8
T21	38.7	4.0	26.0	9.0		
T21A	38.7	6.3	26.0	9.0		
T29	39.0	10.0	21.0	16.0		
T30	39.0	15.0	21.0	16.0		

*asymmetric groove

Drawings available upon request

Multi Groove Rollers

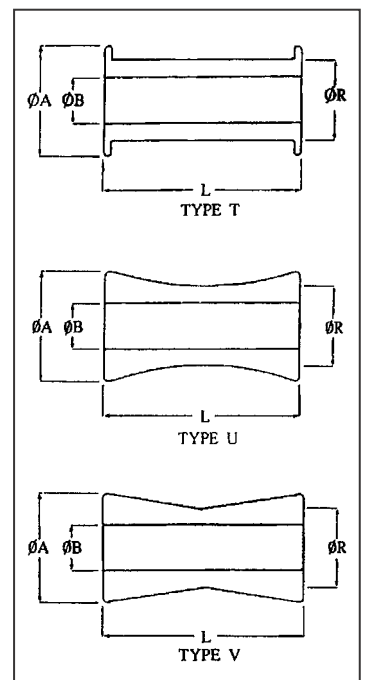


Ref	øA	øB	øR	øF	L	G	No of grooves	øC	D
W28	13.50	5.00	9.00		34.00	7.00	5		
V32	13.70	3.30	10.00		15.60	4.80	2		
W25	14.00	3.50	9.00		20.00	4.00	3	9.00	4.00
W26	14.00	3.30	6.00		21.00	4.50	3		
W27	15.00	4.30	9.00		20.00	3.60	4		
W35	15.00	5.00	8.00		26.50	3.00	8		
W6	15.75	3.18	7.60		30.30	3.50	6		
W37	15.90	6.30	9.00	20.00	22.00	4.60	4		
V13	16.00	3.50	8.00		19.00	3.50	3		
W31	16.00	5.30	10.00	21.00	34.00	6.00	5		
W3	16.00	6.20	9.50		27.00	4.80	4		
W9	16.00	3.50	9.50		36.50	6.30	5		
V29	16.50	4.50	10.50		12.50	4.70	2		
V28	16.50	4.50	10.50		15.80	4.20	3		
W29	16.50	4.50	10.50		18.00	4.00	4		
V30	16.50	4.50	10.50		24.00	6.00	4		
V9	17.00	5.00	8.00		20.00	10.00	2		
V10	17.00	6.00	8.00		23.00	12.00	2		
W21	17.60	3.50	10.00	23.80	9.00	—	1	6.00	4.00
W22	17.60	3.50	10.00	23.80	14.00	6.00	2	6.00	4.00
W23	17.60	3.50	10.00	23.80	20.00	6.00	3	6.00	4.00
W24	17.60	3.50	11.00	23.80	22.00	5.00	4	6.00	4.00
W30	21.00	5.30	8.20		20.00	9.00	2		
W36	21.00	5.30	9.00		21.00	5.00	3		
W32	29.00	6.20	16.00		26.00	12.50	2	10.00	3.00

*Counter bore both ends

Drawings available upon request

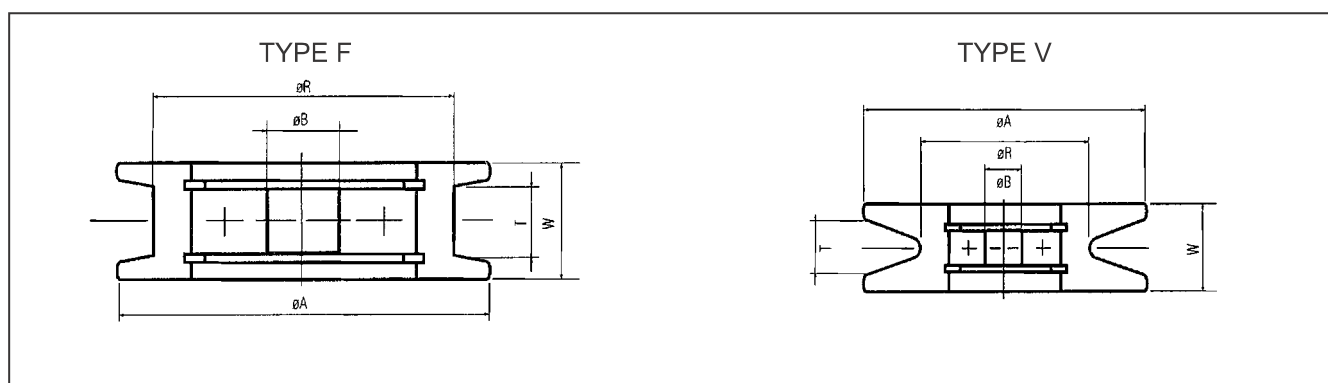
Bobbins and Diabolos



Ref.	øA	øB	øR	L	Type
U11	4.50	2.20	3.50	25.00	U
U18	6.00	2.00	3.50	10.50	U
U16	6.50	3.10	5.40	19.00	U
U42	8.00	3.00	5.00	10.00	U
U36	8.20	4.00	6.20	10.50	U
U37	10.80	3.20	6.80	20.00	T
U32	12.00	6.00	11.50	12.00	V
U33	12.00	6.00	10.40	20.00	U

Ref.	øA	øB	øR	L	Type
U34	15.00	7.50	10.40	20.00	U
U27	15.00	4.00	8.00	15.00	V
U29	15.20	4.00	9.00	21.00	T
U35*	20.00	6.30	10.00	20.00	V
U25	20.00	6.30	10.00	25.00	V
U25C*	20.00	6.30	10.00	25.00	V
U28	20.00	6.30	10.00	25.00	U
U26#	38.00	4.50	19.00	32.00	T

CERAMIC BEARING ROLLERS

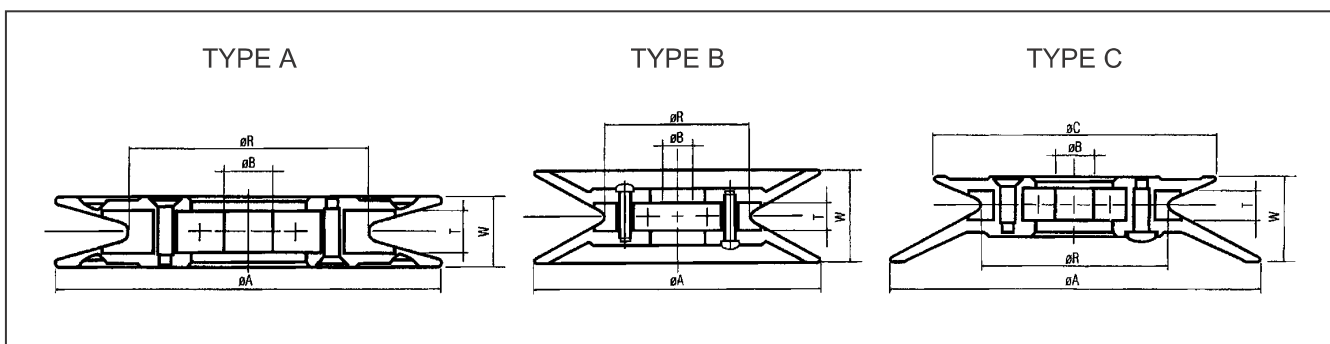


Part No	øA	øB	øR	W	T
CBR1V	8	1.5 or <u>2</u>	6	3	2.3
CBR2V	10	<u>2</u>	8	4	3
CBR3V	10.5	<u>2</u>	7	3.5	2.3
CBR4V	14	<u>3</u>	10	6	4
CBR5V	16.5	②, or <u>4</u>	13.5	7	4
CBR6V	17	<u>3</u>	13	12	7
CBR7V	20	②, <u>4</u> , 5 or 7	14	10	7
CBR8V	23	<u>3</u>	15	8	5.5
CBR9V	27	4, <u>5</u> or 6	15	11	8
CBR10V	27	4, <u>5</u> or 6	18.5	9.5	5.5
CBR11F	30	4, <u>5</u> or 8	22	10	5
CBR12F	30	<u>5</u>	20	24	10
CBR13V	30	<u>5</u>	15	11	9
CBR14V	40	4, <u>5</u> or 8	24	12	8
CBR15V	40	<u>8</u> or 10	27	24	18
CBR16F	50	<u>10</u>	40	16	10
CBR17F	50	<u>10</u>	40	24	18

②, = Special low torque bearing

Bearings (øB) underlined indicate standard sizes

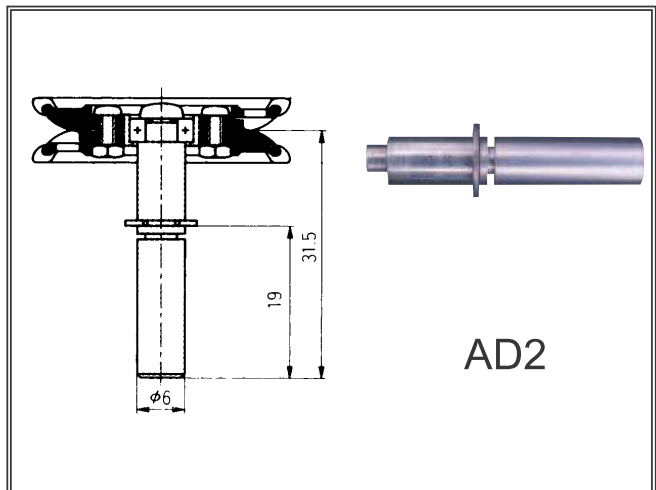
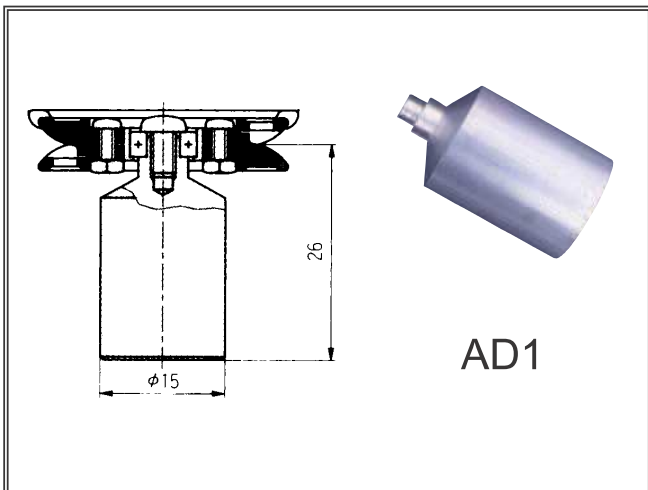
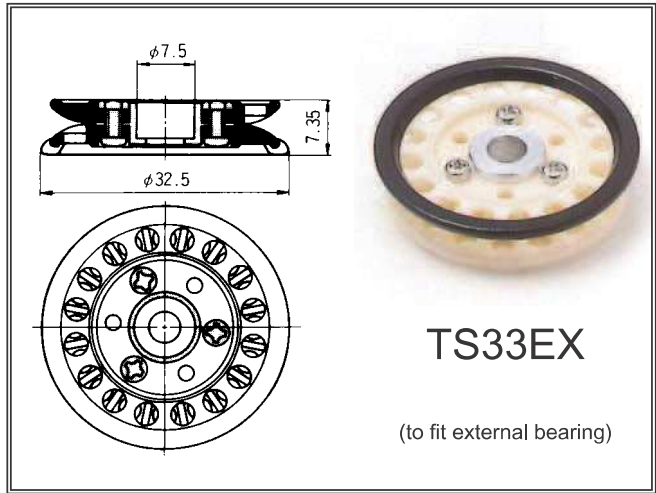
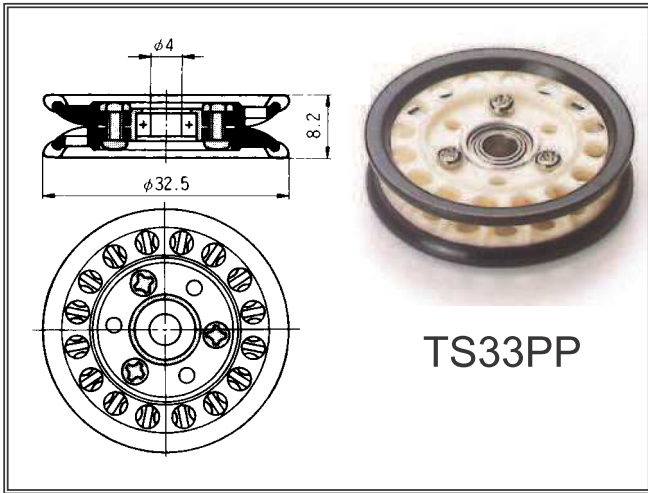
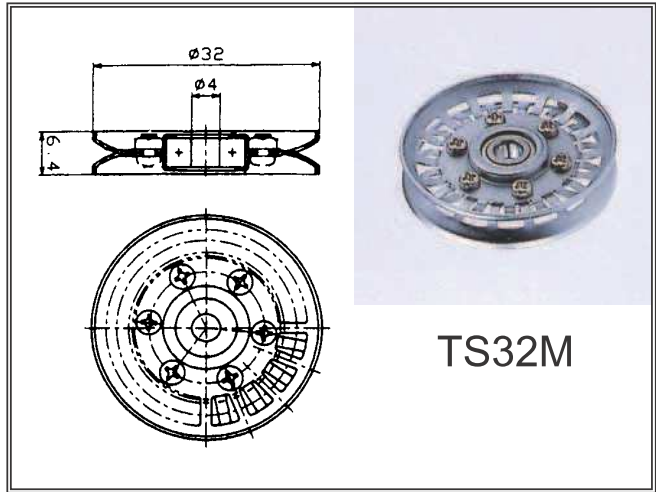
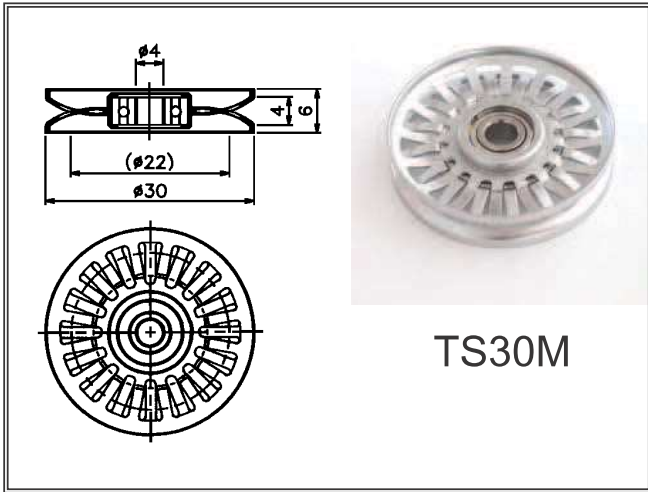
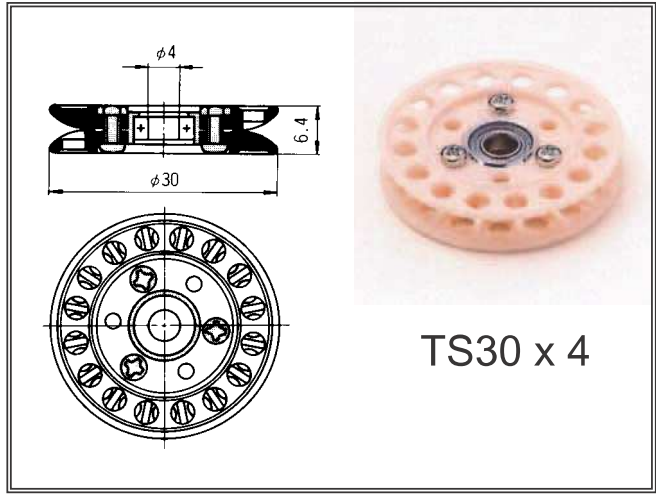
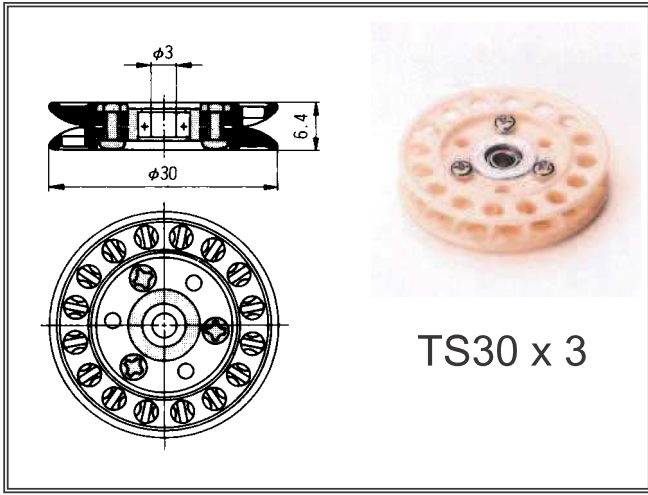
CERAMIC BEARING ROLLERS

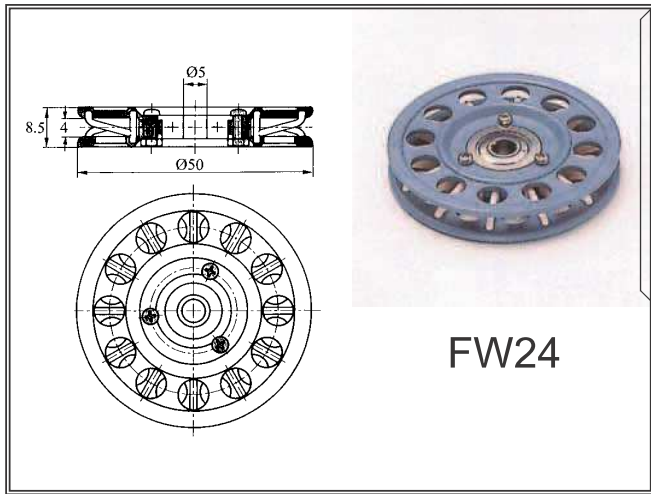


Part No	øA	øB	øC	øR	W	T
PCBR1A	20	<u>3</u>		15	4	3
PCBR2A	28.5	②, <u>4</u> or 5		20	6	4
PCBR3B	30	<u>3</u>		15	10	3
PCBR4C	30	<u>3</u>	20	15	7	3
PCBR5B	40	②, <u>4</u> or 5		20	15	4
PCBR6C	40	②, <u>4</u> or 5	28.5	20	10.5	4
PCBR7A	45	④, <u>5</u> , <u>6</u> , 7 or 8		30	10	6
PCBR8A	60	7 or <u>8</u>		40	12	6
PCBR9B	60	④, <u>5</u> , <u>6</u> , 7 or 8		30	20	6
PCBR10C	60	④, <u>5</u> , <u>6</u> , 7 or 8	45	30	15	6
PCBR11A	80	<u>10</u>		50	15	9
PCBR12B	80	<u>8</u>		40	25	6
PCBR13C	80	<u>8</u>	60	40	18.5	6
PCBR14B	100	<u>10</u>		50	30	9
PCBR15C	100	<u>10</u>	80	50	22.5	9

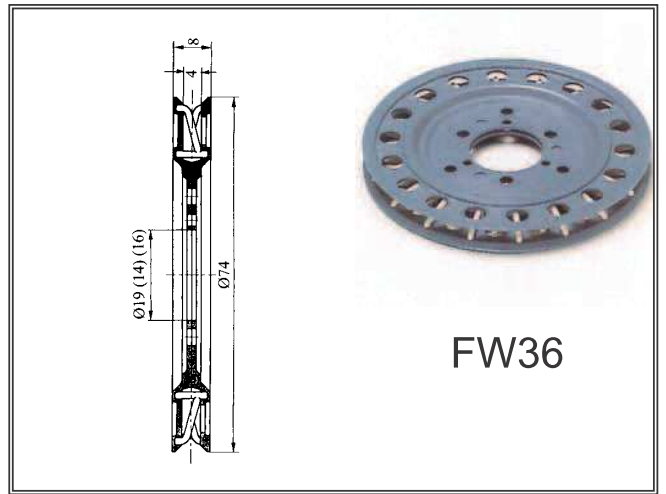
②, ④ = Special low torque bearing

Bearings (øB) underlined indicate standard sizes

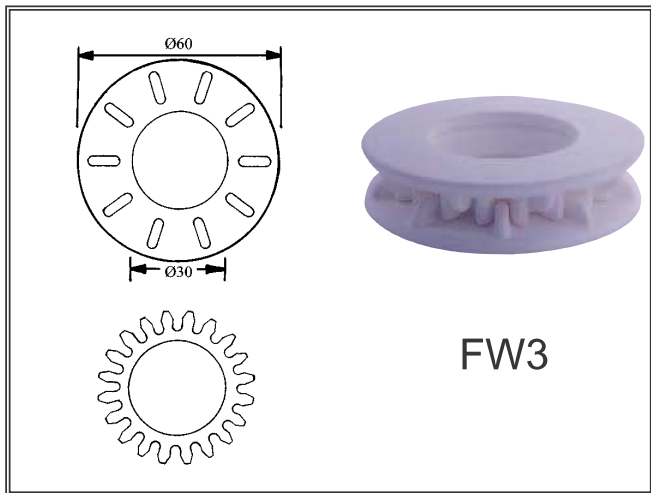




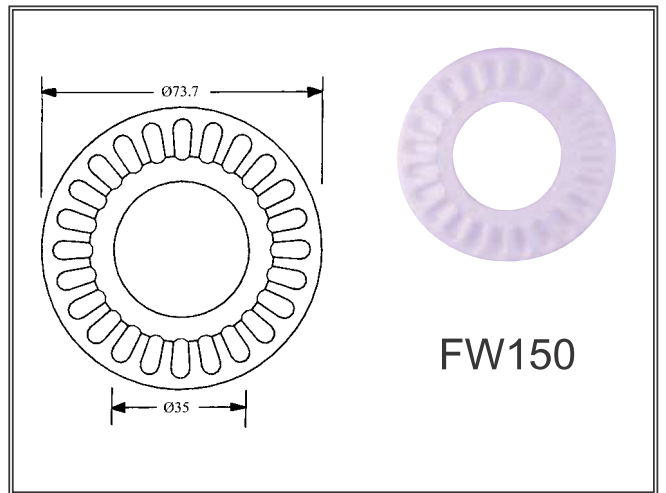
FW24



FW36



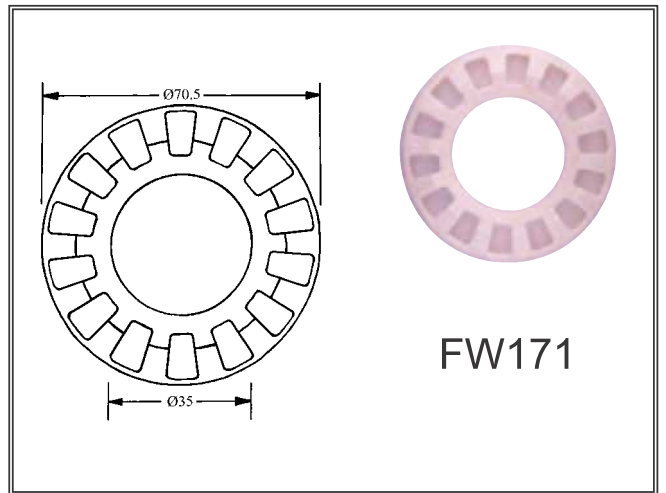
FW3



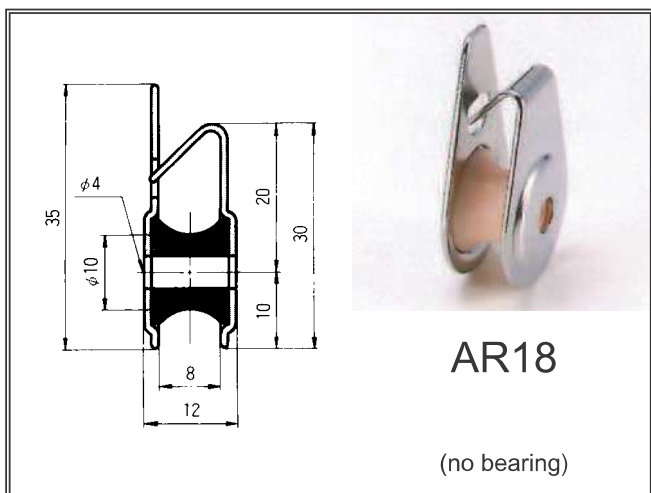
FW150



FW46

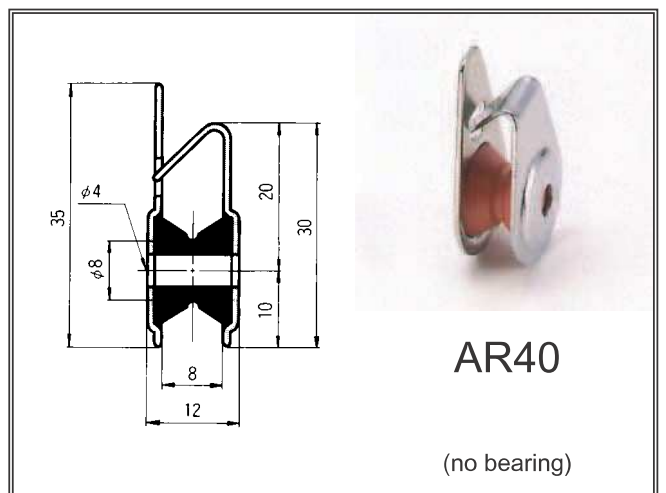


FW171



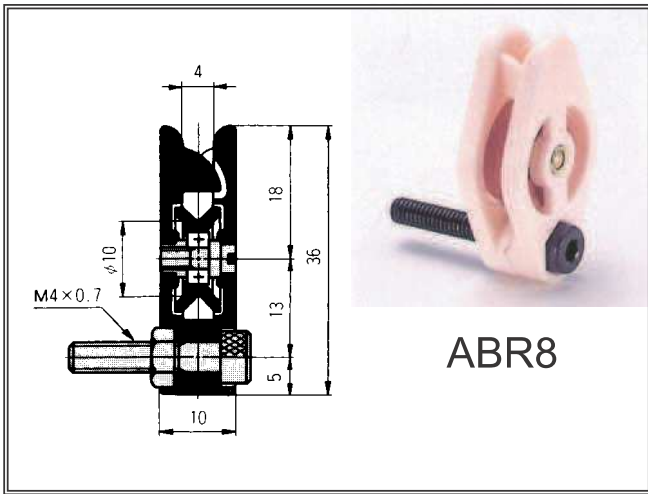
AR18

(no bearing)

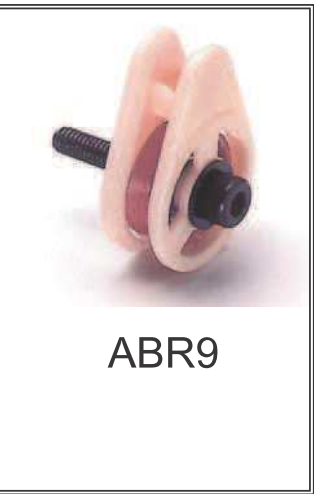
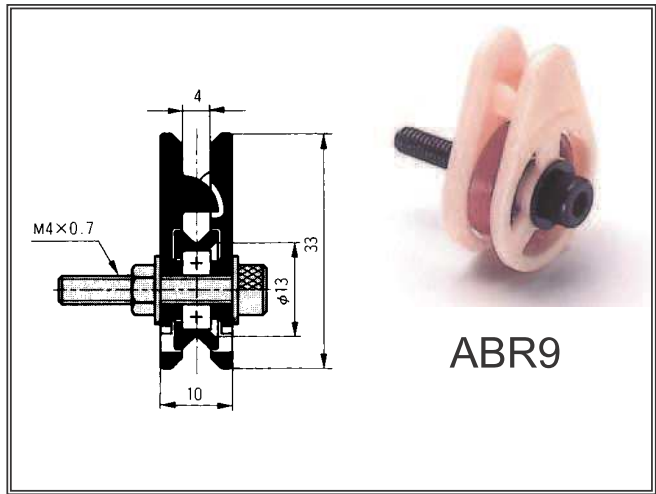


AR40

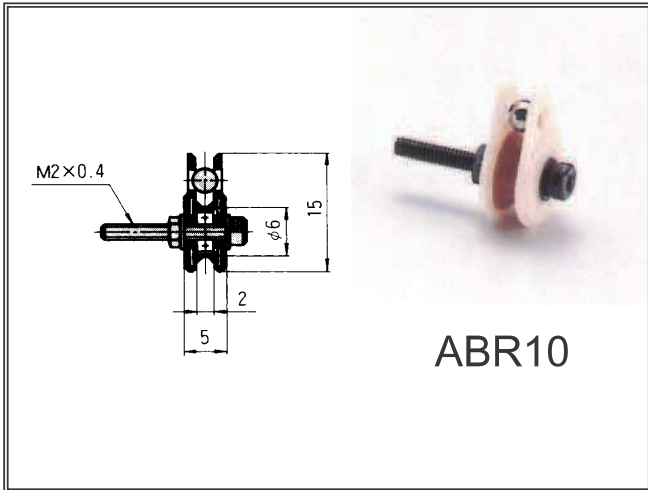
(no bearing)



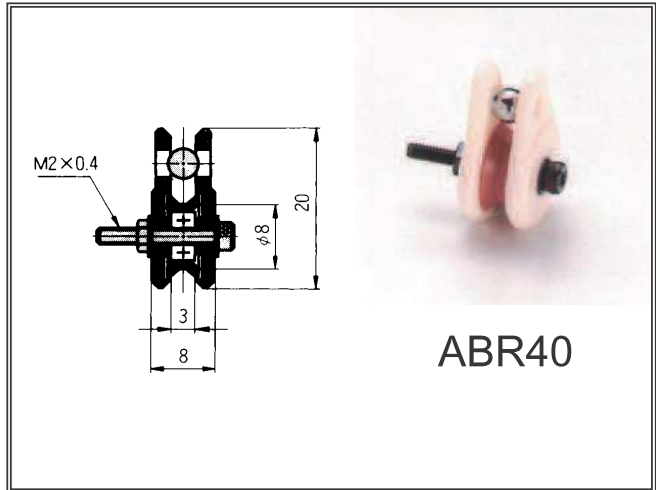
ABR8



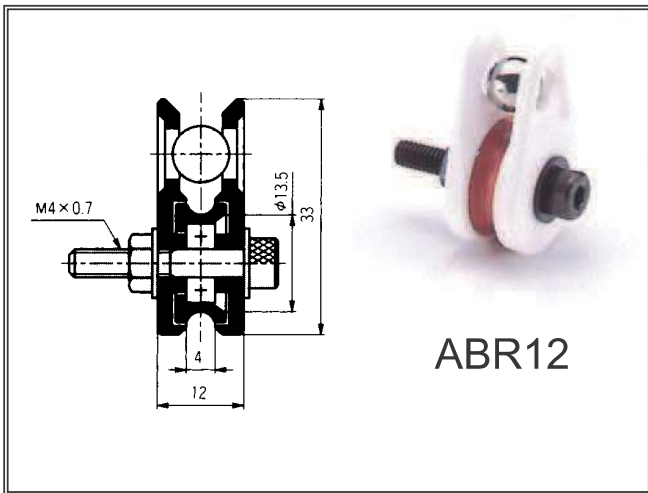
ABR9



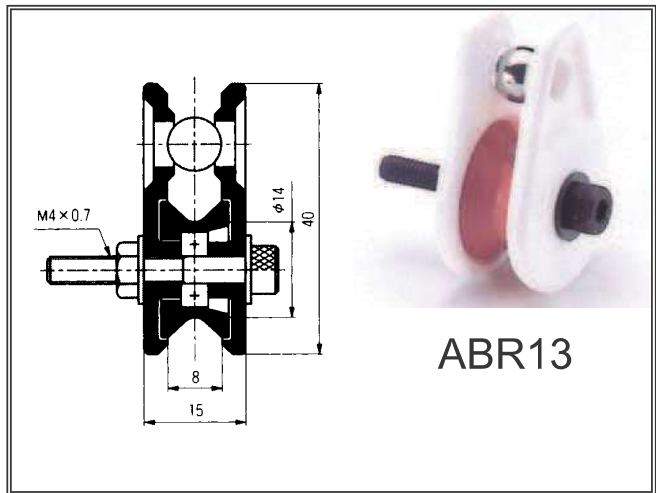
ABR10



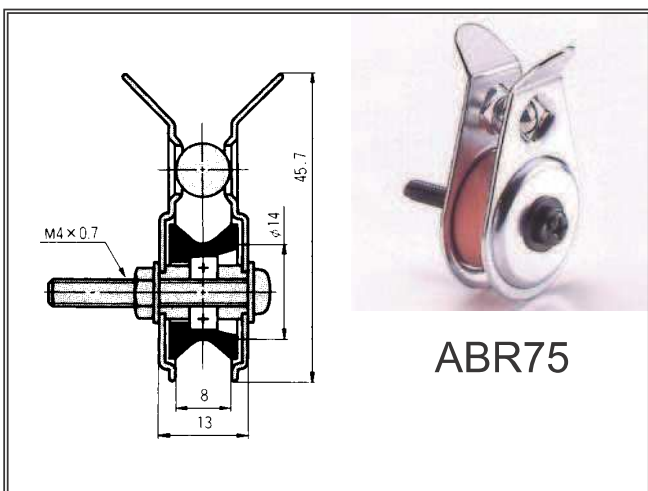
ABR40



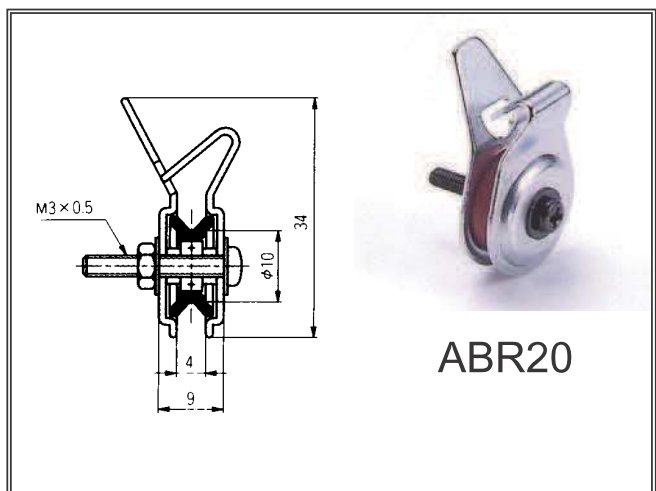
ABR12



ABR13



ABR75



ABR20